

5MP 30× Starlight IR POE AI PTZ Camera

IV-ESD5730



KEY FEATURES

- ▶ Support Auto-tracking
- ▶ Up to 2880×1620@30fps
- ▶ Min.illumination Color: 0.001Lux@F1.5
- ▶ Optical zoom: 30×, digital zoom 16×
- ▶ Smart IR, IR Range: 200m
- ▶ S+265/H.265/H.264/M-JPEG
- ▶ Intelligent monitoring/ Face Capture mode
- ▶ Support Human/Vehicle Classification
- ▶ Plugin Free
- ▶ IP66

5MP 30× Starlight IR POE AI PTZ Camera



SPECIFICATIONS

Camera	
Image Sensor	1/2.8"CMOS
Signal System	PAL/NTSC
Min. Illumination	Color: 0.001lux@(F1.6, AGC ON), B/W: 0lux with IR
Shutter Time	1s to 1/100,000s
Day&Night	IR Cut Filter with Auto Switch
Optical Zoom	30X
Digital Zoom	16X
Lens	
Focal Length	4.7mm~141mm
Zoom Speed	<5s
Field of View	Horizontal filed of view: 61.9°(w)~2.5°(t) Vertical filed of view: 35.5°(w)~1.4°(t) Diagonal field of view: 69.1°(w)~2.9°(t)
Aperture Range	F1.6~F4.3
Focus Control	Auto/Manual
Iris Control	Auto
Close Focus Distance	1m -1.5m
Pan & Tilt	
Pan Range	360°
Pan Speed	Pan Manual Speed: 0.1°~180°/s, Pan Preset Speed: 240°/s
Tilt Range	-16°~90°(Default -3°~90°)
Tilt Speed	Tilt Manual Speed: 0.1°~120°/s, Tilt Preset Speed: 120°/s
3D Position	Yes
Preset	500
Preset Accuracy	±0.4°
Cruise	16, up to 32 presets per cruise
Scan	8
Pattern	8, each with 600s memory or 1000 orders
Scheduled Task	Preset,Cruise, Scan, Pattern, Alarm output
Park Action	Yes
Power-off Memory	Yes
Preset Freezing	N/A
Illuminator	
IR LEDs	10
IR Distance	Up to 200m
IR Irradiation Angle	Adjustable by Zoom
White LEDs	N/A

5MP 30× Starlight IR POE AI PTZ Camera



Laser	N/A
Laser Distance	N/A
Compression Standard	
Video Compression	S+265/H.265/H.264/M-JPEG
Video Bit Rate	32Kbps~16Mbps
Audio Compression	G.711A/G.711U/ADPCM_D/AAC_LC
Audio Sampling Rate	8kHz/32kHz/48kHz
Image	
Max. Resolution	5MP (2880x1620)
Main Stream	PAL: 25 fps (2880x1620,2688x1520,2560x1440,2304x1296,1920x1080,1280x960,1280x720) NTSC: 30 fps (2880x1620,2688x1520,2560x1440,2304x1296,1920x1080,1280x960,1280x720)
Sub Stream	PAL: 25 fps (704x576,704x288,640x360,352x288) NTSC: 30 fps (704x480,704x240,640x360,352x240)
Third Stream	PAL: 25 fps (1920x1080,1280x960,1280x720,704x576,640x480,704x288,352x288) NTSC: 30 fps (1920x1080,1280x960,1280x720,704x480,640x480,704x240,352x240)
BLC	Yes
HLC	Yes
WDR	120dB
Image Stabilization	N/A
Defog	Digital
White Balance	Auto/Semi-auto/Manual/Sunny/Natural light/Warm light/Sodium lamp/Incandescent lamp/Locked white balance
AGC	Yes
Noise Reduction	2D/3D
ROI	7 Dynamic Areas for Both Main and Sub Stream, support 1 auto-tracking ROI
Picture Overlay	Yes
Privacy Mask	Yes
Demist	Yes
Image Setting	Saturation, brightness, contrast, sharpness, adjustable by client software or web browser
Flip	Yes
OSD	16x16, 24x24, 32x32, 48x48, 64x64, 96x96, adaptable size, Letters such as Week, Date, Time, Total 5 Regions
Feature	
Alarm Trigger	Event Input, Event Output, Mask Alarm, Disk Full, Disk R/W Error, IP Address Conflict, MAC Address Conflict, FTP Server Exception
Video Analytics	Tripwire, Double Tripwire, Perimeter, Object Abandon, Object Lost, Loitering, Running, Parking, Heatmap, crowd, People Counting, On Duty Detection, Safety Helmet Detection, Video Abnormal, Audio Abnormal, Face Capture, Human/Vehicle Classification
Early Warning(EW)	N/A
Auto-Tracking	Yes

5MP 30× Starlight IR POE AI PTZ Camera



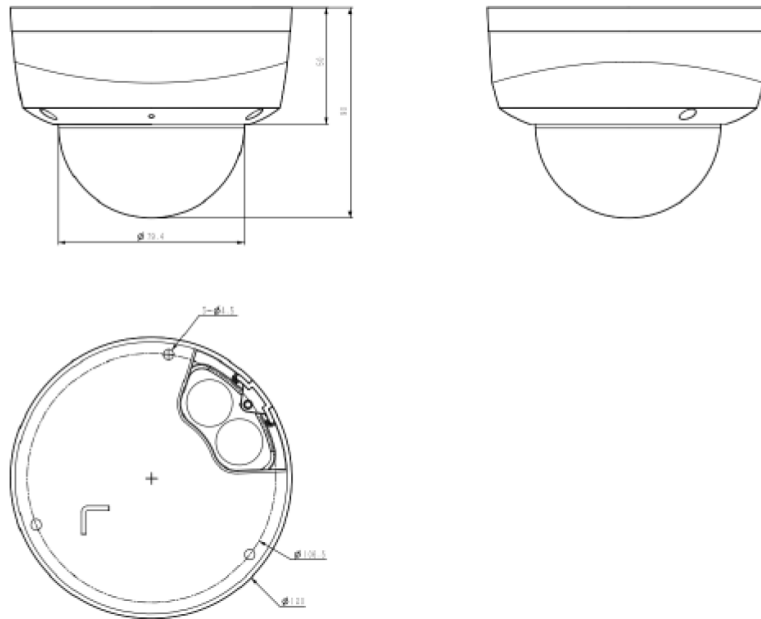
Face Detection and Analytics	
Operating Mode	Face capture, Intelligent monitoring optional, default Intelligent monitoring
Face Detection Performance	Detects up to 32 faces at the same scene
Face Exposure Brightness	Default 35, 1~100 brightness optional
Min. Face Pixel	Default 80, 26~2880 optional
Network	
Protocols	HTTP/HTTPS/TCP/UDP/UPnP/SNMP/DHCP/DNS/DDNS/EasyDDNS/NTP/SMTP/SSL/802.1X/QoS/IPv4/IPv6/PPPOE/SSH/Unicast/Multicast/RTMP/RTP/RTSP/NFS/SMB/CIFS/FTP
System Compatibility	ONVIF (PROFILE S/T/G/M), SDK, CGI, P2P
ANR	Auto store video in SD card when NVR disconnected, and upload video to NVR when resumed connection (Only Support Tiandy ANR NVR)
Remote Connection	≤ 7
User/Host	Up to 32 users. 4 user levels
Web	IE, Firefox, Edge, Safari, Chrome
Interface	
Communication Interface	1 RJ45 10M/100M self adaptive Ethernet port
Audio I/O	1/1
Alarm I/O	8/2
Built-In Speaker	N/A
Reset Button	Yes
On-board storage	Built-in Micro SD card slot, up to 512 GB
RS-485	Yes
BNC	N/A
Wiper	N/A
Electronic Compass	N/A
GPS/BDS	N/A
General	
Protection	IP66 , TVS 6000V lightning protection, surge protection and voltage transient protection
Web Client Language	17 languages Simple Chinese/Traditional Chinese/English/Spanish/Korean/Italian/Turkish/Russian/Thai /French/Polish/Dutch/Hebraism/Arabic/Vietnamese/German/Ukrainian
Operating Conditions	-40°C~70°C (IR OFF), -40°C~40°C (IR ON), 0-95%RH
Power Supply	AC24V±25%/POE++(IEEE802.3 bt
Power Consumption	20W (IR OFF), 38W (IR ON)
Heater	N/A
Material	ADC12
Package/Boundary Dimensions	Φ310x500mm (Φ222x372mm)
Gross/Net Weight	8.45kg (5.3kg)

* Listed resolutions are only selectable options. It does not mean that all streams can work at their maximum resolution at the same time

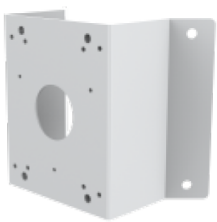
5MP 30× Starlight IR POE AI PTZ Camera



DIMENSIONS (Unit: mm)



ACCESSORIES



A35



A36



A29



A25