

# H.265+ Weather-proof (5MP) Mini Dome Network Camera

IV-SFD5100

- IP67
- IK10

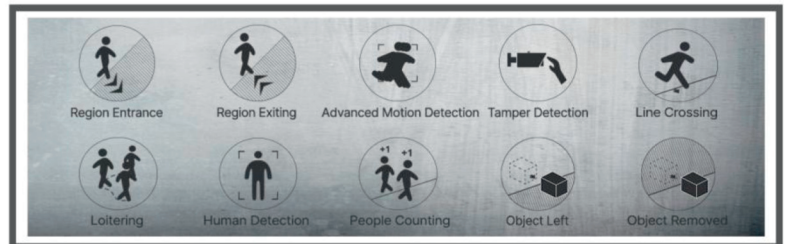


## KEY FEATURES

- » **Smart Stream** (Bandwidth, storage and bit rate are saved with Smart Stream ON, eg, H.265+ saves 70%~80% bandwidth that of H.264.)
- » **Advanced Functions** (Boasting to support various advanced functions such as HLC, Defog, ROI.)
- » **Built-in Microphone** (Supporting audio function to hear what is happening in front of the camera.)
- » **SIP** (Session Initiation Protocol. Providing audio/alarm/intercom and video streaming for mobile phones and video phones.)
- » **3-Axis Mechanical Design** (Featuring 3-axis mechanical design for fast and easy adjustment of the camera's viewing angle.)

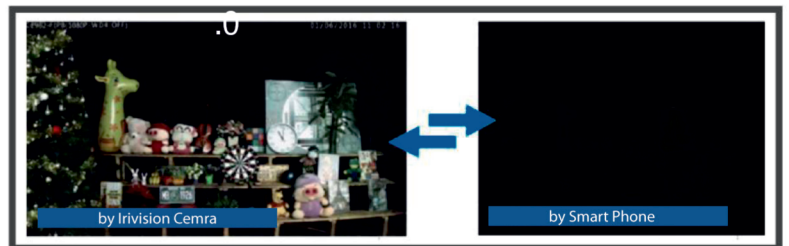
### Video Content Analysis

IriVision VCA with 10 detection modes provides advanced, accurate smart video analysis for IriVision network cameras, enabling the comprehensive surveillance function and quicker response to different monitoring scenes.



### 0.008LUX Ultra Low Light

The starlight camera is able to deliver high detailed color images even in low light environment reaching 0.008LUX(Color) or 0Lux(B/W), and near infrared light environments without any supplementary lighting.



### 120dB WDR

IriVision's WDR technology allows the camera to record greater scene details with true color reproduction even under the extreme back light and high contrast conditions. The ratio that the brightest light signal values divided by the darkest light signal values is up to 120dB .



### IP67&IK10

Supporting IP67-rated weather proofing and IK10-rated vandal proof which are the leading level of the industry, the camera is well protected against adverse impact to ensure the performance.



# H.265+ Weather-proof Mini Dome Network Camera



	Model	IV-SFD5100 (5MP)
<b>Camera</b>	Image Sensor	1/2.8" Progressive Scan CMOS
	Min. Illumination	Color: 0.008Lux@F1.6 B/W: 0Lux with IR on
	WDR	120dB WDR
	Lens	2.8mm@1.6
	Mount	M12
	Field of View	H113°/D144°/V84°(2.8mm)
	Shutter Time	1/100000s~1s
	IR Distance	Up to 25m
	Day/Night Mode	Day/Night/Auto/Customize/Schedule
	S/N	>55dB
<b>Video</b>	Max. Image Resolution	2592x1944
	Primary Stream	20fps@(2592x1944), 30fps@(2048x1536, 1920x1080, 1280x960, 1280x720, 704x576)
	Secondary Stream	30fps@(704x576, 640x480, 640x360, 352x288, 320x240, 320x192, 320x180)
	Tertiary Stream	30fps@(1920x1080, 1280x720, 704x576, 640x480, 640x360, 320x240, 320x192, 320x180)
	Video Compression	H.265+/H.265(HEVC)/H.264+/H.264/MJPEG
	Video Bit Rate	16Kbps~16Mbps(CBR/VBR Adjustable)
	Privacy Masking	Up to 8 areas
	ROI	Up to 8 areas
	Image Setting	Brightness/Contrast/Saturation/Sharpness
<b>Interface</b>	Ethernet	1*RJ45 10M/100M Ethernet Port
	Audio Interface	Built-in Microphone
<b>Network</b>	Network Storage	NAS(Support NFS, SMB/CIFS), ANR
	Protocol	IPv4/IPv6, ARP, TCP, UDP, RTCP, RTP, RTSP, RTMP, HTTP, HTTPS, DNS, DDNS, DHCP, FTP, NTP, SMTP, SNMP, UPnP, Bonjour, SIP, PPPoE, VLAN, 802.1x, QoS, IGMP, ICMP, SSL
<b>Audio</b>	Audio Compression	G.711/AAC/G.722/G.726
	Audio Sampling Rate	8/16KHz
	Audio Bit Rate	16~96kbps
	Two-way Audio	N/A

# H.265+ Weather-proof Mini Dome Network Camera



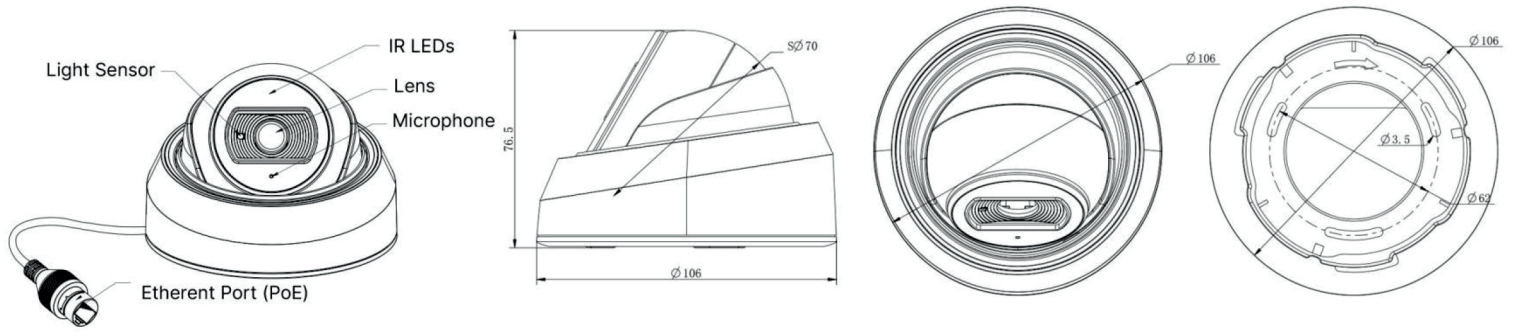
<b>System</b>	Storage	Support microSD/SDHC/SDXC Card Local Storage, up to 256G
	Advanced Function	BLC, HLC, 2D DNR, 3D DNR, Defog, AWB, EIS, IP Address Filtering, AGC, Anti-flicker, Corridor Mode, Deblur, Watermark
	SIP/VoIP Support	Yes, Voice & Video-over-IP
	Event Trigger	Motion Detection, Network Disconnection, Audio Alarm, etc.
	Event Action	FTP Upload, SMTP Upload, SD Card Record, SIP Phone, HTTP Notification, etc.
	Video Analysis	Region Entrance, Region Exiting, Advanced Motion Detection, Tamper Detection, Line Crossing, Loitering, Human Detection, People Counting, Object Left, Object Removed
	System Compatibility	ONVIF Profile G & Q & S & T, API
<b>General</b>	Working Temperature	-40°C~60°C
	Working Humidity	0~90%(Non-condensing)
	Power Supply	PoE (802.3af)
	Power Consumption	2.5W MAX 4W MAX (With IR on)
	Housing	Vandal-proof IK10 / Up to IP67-rated for Weather-resistant Performance
	Weight	410g
	Dimensions	Φ106mmX76.5mm
	Warranty	2 Years

# H.265+ Weather-proof Mini Dome Network Camera



## Structure Diagrams

### Junction Box Version



Units: mm

## Accessories Support

### Pole Mount

Weight: 720g  
Dimensions: 170\*51.5\*152.6mm



### External Corner Bracket

Weight: 900g  
Dimensions: 170\*152.5\*76.3mm



### Wall Mount

Weight: 530g  
Dimensions: 162\*124\*78 mm



### Recessed Mount

Weight: 450g  
Dimensions: 168.9\*168.9\*91.3mm



### Junction Box

Weight: 270g  
Dimensions:  $\varnothing$ 122\*45.5mm

