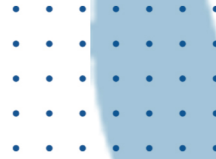


AI Weather-proof (8MP) Mini Dome Network Camera IV-SFD8100



- IP67
- IK10



KEY FEATURES

- ▶ Advanced Functions (Boasting to support various advanced functions such as HLC, Defog, ROI.)
- ▶ Built-in Microphone (Supporting audio function to hear what is happening in front of the camera.)
- ▶ SIP (Session Initiation Protocol. Providing audio/alarm/intercom and video streaming for mobile phones and video phones.)
- ▶ 3-Axis Mechanical Design (Featuring 3-axis mechanical design for fast and easy adjustment of the camera's viewing angle.)
- ▶ Smart Stream (Bandwidth, storage and bit rate are saved with Smart Stream On, eg, H.265+ saves 70%~80% bandwidth that of H.264.)

120dB WDR

Sensor-based WDR technology allows the camera to record greater scene details with true color reproduction even under the extreme back light and high contrast conditions. The ratio that the brightest light signal values divided by the darkest light signal values is up to 120dB.



AI Video Analytics

The AI Camera Series can intelligently filter objects to focus on human and vehicle detection in multiple events such as Region Entrance, Region Exiting, Loitering, Advanced Motion Detection, etc.



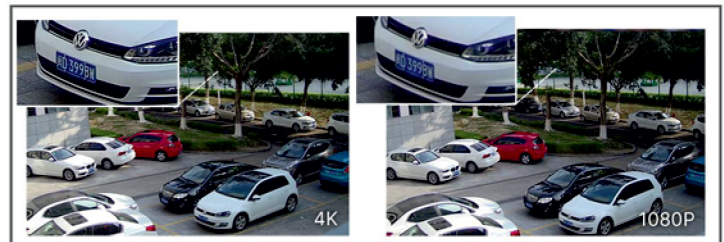
IP67&IK10

Supporting IP67-rated weather proofing and IK10-rated vandal proof which are the leading level of the industry, the camera is well protected against adverse impact to ensure the performance.



4K Video Viewing Experience

The camera performs well in catching detailed image with 4K HD resolution regardless of the moving speed.



AI Weather-proof (8MP) Mini Dome Network Camera



	Model	MS-C8175-(S)PD (4K)
Camera	Image Sensor	1/2.8" Progressive Scan CMOS
	Min. Illumination	Color: 0.012Lux@F1.6 B/W: 0Lux with IR on
	WDR	120dB Super WDR
	Lens	2.8mm/4mm/6mm@F1.6
	Mount	M12
	Field of View	H91°/D106°/V50°(4mm)
	Shutter Time	1/100000s~1s
	IR Distance	Up to 25m
	Day/Night Mode	Day/Night/Auto/Customize/Schedule
	S/N	>55dB
Video	Max. Image Resolution	1920x1080
	Primary Stream	20fps@(3840x2160)
	Secondary Stream	25fps@(3072x2048) 30fps@(2592x1944) 60Hz: 30fps@(704x576, 640x480, 640x360, 352x288) 50Hz: 25fps@(704x576, 640x480, 640x360, 352x288)
	Tertiary Stream	60Hz: 30fps@(1280x720, 704x576, 640x480, 640x360, 352x288) 50Hz: 25fps@(1280x720, 704x576, 640x480, 640x360, 352x288)
	Video Compression	H.265+/H.265(HEVC)/H.264+/H.264/MJPEG
	Video Bit Rate	16Kbps~16Mbps(CBR/VBR Adjustable)
	Privacy Masking	Up to 4 areas
	ROI	Up to 8 areas
Interface	Ethernet	1*RJ45 10M/100M Ethernet Port
	Audio Interface	Built-in Microphone
Network	Network Storage	NAS(Support NFS, SMB/CIFS), ANR
	Protocol	IPv4/IPv6, ARP, TCP, UDP, RTCP, RTP, RTSP, HTTP, HTTPS, DNS, DDNS, DHCP, FTP, NTP, SMTP, SNMP, UPnP, Bonjour, SIP, PPPoE, VLAN, 802.1x, QoS, IGMP, ICMP, SSL

AI Weather-proof (8MP) Mini Dome Network Camera

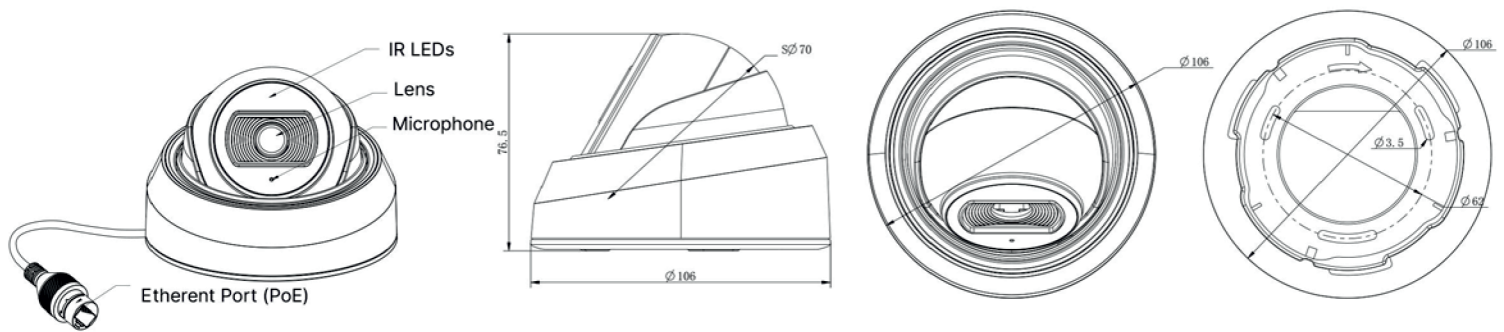


Audio	Audio Compression	G.711/AAC/G.722/G.726
	Audio Sampling Rate	8/16/32/48KHz
	Audio Bit Rate	16~256kbps
	Two-way Audio	N/A
Intelligent Analytics	Video Analysis	Region Entrance, Region Exiting, Advanced Motion Detection, Tamper Detection, Line Crossing, Loitering, Object Left, Object Removed
System	Storage	Support microSD/SDHC/SDXC Card Local Storage, up to 256G
	Advanced Function	BLC, HLC, 2D DNR, 3D DNR, Defog, AWB, IP Address Filtering, AGC, Anti-flicker, Corridor Mode, Deblur
	SIP/VoIP Support	Yes, Voice & Video-over-IP
	Event Trigger	Motion Detection, Network Disconnection, Audio Alarm, etc.
	Event Action	FTP Upload, SMTP Upload, SD Card Record, SIP Phone, HTTP Notification, etc.
	System Compatibility	ONVIF Profile G & Q & S & T, API
General	Working Temperature	-40°C~60°C
	Working Humidity	0~90%(Non-condensing)
	Power Supply	PoE (802.3af)
	Power Consumption	4.6W MAX 6.6W MAX (With IR on)
	Housing	Vandal-proof IK10-rated Metal Housing / Up to IP67-rated for Weather-resistant Performance
	Weight	410g
	Dimensions	Φ106mmX76.5mm
	Warranty	2 Years

AI Weather-proof (8MP) Mini Dome Network Camera



Structure Diagrams



Units: mm

Accessories Support

Pole Mount

Weight: 720g
Dimensions: 170*51.5*152.6mm



External Corner Bracket

Weight: 900g
Dimensions: 170*152.5*76.3mm



Wall Mount

Weight: 530g
Dimensions: 162*124*78 mm



Recessed Mount

Weight: 450g
Dimensions: 168.9*168.9*91.3mm



Junction Box

Weight: 270g
Dimensions: φ122*45.5mm

